

*Industrial Engineers and Spring Makers*  
**Spring Washer Catalogue**  
*Prices Effective 1st November 2008*



**Industrial Engineers & Spring Makers**

341 - 359 Port Road, HINDMARSH SA 5007

Australia

[sales@industrialsprings.com.au](mailto:sales@industrialsprings.com.au)

[www.industrialsprings.com.au](http://www.industrialsprings.com.au)

Industrial Engineers and Spring Makers

## Spring Washer Catalogue

### Prices Effective 1st November 2008

Part No	Size	Material	Packet Qty	Net Price Per 100		Loose Bulk Qty
Black/Zinc				Black	Zinc	10% Discount

<i>METRIC SQUARE SECTION - Light Duty</i>						
SW241	M 5	1.20 x 1.20	200	1.27	1.27	5000
SW250	M 6	1.60 x 1.60	200	1.64	1.64	5000
SW256	M 8	2.00 x 2.00	200	2.16	2.16	5000
SW260	M 10	2.40 x 2.40	200	2.43	2.43	5000
SW264	M 12	3.20 x 3.20	200	3.66	3.66	3000
SW269	M 14	3.20 x 3.20	200	4.13	4.13	3000
SW273	M 16	3.20 x 3.20	200	4.39	4.39	5000
SW283	M 20	4.00 x 4.00	100	8.53	8.53	1000
SW292	M 22	4.80 x 4.80	100	13.84	13.84	1000
SW300	M 24	4.80 x 4.80	50	15.82	17.40	1000
SW309	M 30	6.40 x 6.40	25	33.40	36.74	500
SW312	M 32	6.40 x 6.40	25	34.98	38.50	500
SW316	M 36	6.40 x 6.40	20	72.93	80.25	500
<i>METRIC SQUARE SECTION - Medium Duty</i>						
SW242	M 3	1.20 x 1.20	200	0.94	0.94	5000
SW244	M 4	1.20 x 1.20	200	1.16	1.16	5000
SW246	M 5	1.60 x 1.60	200	1.38	1.38	5000
SW252	M 6	2.00 x 2.00	200	1.72	1.72	5000
SW257	M 8	2.40 x 2.40	200	2.27	2.27	5000
SW261	M 10	3.20 x 3.20	200	3.09	3.09	5000
SW265	M 12	4.00 x 4.00	200	5.29	5.29	3000
SW270	M 14	4.00 x 4.00	200	5.95	5.95	3000
SW274	M 16	4.00 x 4.00	100	6.90	6.90	5000
SW279	M 18	4.80 x 4.80	100	11.17	11.17	1000
SW284	M 20	4.80 x 4.80	100	12.44	12.44	1000
SW294	M 22	6.40 x 6.40	50	25.65	28.21	500
SW301	M 24	6.40 x 6.40	25	28.20	31.02	500
SW305	M 28	6.40 x 6.40	25	31.42	34.54	500
SW310	M 30	8.00 x 8.00	20	35.86	39.44	500
SW313	M 32	8.00 x 8.00	25	56.54	62.22	500
SW317	M 36	8.00 x 8.00	20	65.07	71.56	500
<i>METRIC SQUARE SECTION - Heavy Duty</i>						
SW243	M 3	1.60 x 1.60	200	1.23	1.23	5000
SW245	M 4	1.60 x 1.60	200	1.27	1.27	5000
SW247	M 5	2.40 x 2.40	200	2.32	2.32	5000
SW253	M 6	2.40 x 2.40	200	2.19	2.19	5000
SW384	M 8	3.20 x 3.20	200	2.75	2.75	5000
SW380	M 10	4.00 x 4.00	200	4.62	4.62	5000
SW266	M 12	4.80 x 4.80	200	8.36	8.36	2000
SW271	M 14	4.80 x 4.80	200	9.39	9.39	2000
SW275	M 16	4.80 x 4.80	100	10.11	10.11	2000
SW280	M 18	6.40 x 6.40	50	21.03	21.03	1000
SW288	M 20	6.40 x 6.40	50	23.45	23.45	1000
SW296	M 22	8.00 x 8.00	25	42.42	46.64	500
SW302	M 24	8.00 x 8.00	25	46.46	51.08	500
SW306	M 28	8.00 x 8.00	20	52.03	57.26	500
SW311	M 30	9.50 x 9.50	20	79.64	87.56	500
SW382	M 32	9.50 x 9.50	10	84.59	93.06	500
SW318	M 36	9.50 x 9.50	20	98.29	108.08	500
SW326	M 42	9.50 x 9.50	10	104.39	115.06	500
SW321	M 48	9.50 x 9.50	10	112.31	123.53	500
SW327	M 56	9.50 x 9.50	5	133.84	147.18	500

**Non Listed Galvanised Spring Washers Are Black Price Plus 15%**

Industrial Engineers and Spring Makers

## Spring Washer Catalogue

### Prices Effective 1st November 2008

Part No Black/Zinc	Size	Material	Packet Qty	Net Price Per 100		Loose Bulk Qty 10% Discount
				Black	Zinc	

#### METRIC FLAT SECTION - Light Duty

SW335	M 3	1.20 x 0.80	200	1.19	1.19	5000
SW002	M 5	1.60 x 1.20	200	1.23	1.23	5000
SW249	M 6	2.50 x 1.20	200	1.66	1.66	5000
SW258	M 8	2.50 x 1.60	200	2.22	2.22	5000
SW248	M 10	3.20 x 1.60	200	2.56	2.56	5000
SW006	M 12	4.00 x 2.50	200	4.33	4.33	3000
SW276	M 16	4.80 x 3.20	100	7.69	7.69	3000
SW285	M 20	5.50 x 4.00	100	11.96	11.96	1000
SW014	M 22	6.40 x 4.80	50	18.94	18.94	1000
SW299	M 24	6.40 x 4.80	50	21.71	23.89	1000

#### METRIC FLAT SECTION - Medium Duty

SW331	M 3	1.60 x 0.80	200	1.19	1.19	5000
SW001	M 4	1.60 x 0.80	200	1.19	1.19	5000
SW339	M 5	2.50 x 1.20	200	1.45	1.45	5000
SW003	M 6	2.50 x 1.60	200	1.91	1.91	5000
SW259	M 8	3.20 x 1.60	200	2.44	2.44	5000
SW262	M 10	3.20 x 2.40	200	2.84	2.84	5000
SW267	M 12	4.80 x 3.20	200	6.24	6.24	3000
SW007	M 14	4.80 x 3.20	200	6.72	6.72	3000
SW277	M 16	5.50 x 4.00	100	10.29	10.29	1000
SW281	M 18	5.50 x 4.00	100	10.31	10.31	1000
SW286	M 20	6.35 x 4.80	50	17.20	17.20	1000
SW295	M 22	8.00 x 6.40	50	33.90	33.90	1000
SW303	M 24	8.00 x 6.40	25	36.56	40.22	1000
SW307	M 28	8.00 x 6.40	25	44.40	48.80	500
SW012	M 30	8.00 x 6.40	25	45.10	49.63	500
SW314	M 32	8.00 x 6.40	25	46.73	51.44	500
SW319	M 36	8.00 x 6.40	20	65.84	72.43	500

#### METRIC FLAT SECTION - Heavy Duty

SW336	M 5	2.40 x 1.60	200	1.60	1.60	5000
SW255	M 6	3.20 x 1.60	200	2.35	2.35	5000
SW240	M 8	3.20 x 2.40	200	2.46	2.46	5000
SW263	M 10	4.00 x 2.40	200	3.92	3.92	5000
SW268	M 12	5.50 x 4.00	100	8.22	8.22	2000
SW278	M 16	6.40 x 4.80	50	14.54	14.54	1000
SW282	M 18	6.40 x 4.80	100	14.54	14.54	1000
SW291	M 20	8.00 x 6.40	50	31.17	31.17	1000
SW297	M 22	10.00 x 6.00	25	44.35	48.75	1000
SW304	M 24	10.00 x 6.00	25	47.08	51.79	500
SW308	M 28	10.00 x 6.00	25	51.30	56.41	500
SW324	M 30	10.00 x 6.00	25	54.43	59.83	500
SW315	M 32	10.00 x 6.00	20	57.42	63.20	500
SW320	M 36	10.00 x 6.00	25	66.40	73.04	500
SW325	M 42	10.00 x 6.00	20	70.13	77.17	500
SW322	M 48	10.00 x 6.00	10	88.44	97.24	500
SW330	M 56	10.00 x 6.00	5	115.50	127.16	500

**Non Listed Galvanised Spring Washers Are Black Price Plus 15%**

Industrial Engineers and Spring Makers

## Spring Washer Catalogue

Prices Effective 1st November 2008

Part No	Size	Material	Packet	Net Price Per 100		Loose Bulk Qty
Black/Zinc			Qty	Black	Zinc	10% Discount

<b>METRIC SPRING WASHERS - AUSTRALIAN STANDARD (AS 1968 - 1976)</b>						
SW001	M 4	1.60 x 0.80	200	1.19	1.19	5000
SW002	M 5	1.60 x 1.20	200	1.23	1.23	5000
SW003	M 6	2.50 x 1.60	200	1.91	1.91	5000
SW004	M 8	3.00 x 2.00	200	2.32	2.32	5000
SW005	M 10	3.50 x 2.20	200	2.89	2.89	3000
SW006	M 12	4.00 x 2.50	200	4.33	4.33	3000
SW007	M 14	4.80 x 3.20	200	6.72	6.72	3000
SW008	M 16	5.00 x 3.50	100	9.05	9.05	2000
SW009	M 18	5.00 x 3.50	100	12.13	12.13	2000
SW010	M 20	6.00 x 4.00	100	14.77	14.77	1000
SW014	M 22	6.40 x 4.80	50	18.94	18.94	1000
SW011	M 24	7.00 x 5.00	50	28.93	31.82	1000
SW012	M 30	8.00 x 6.40	25	45.10	49.63	500
SW013	M 36	9.50 x 6.40	25	66.35	73.04	500
<b>SIMILAR TO GERMAN STANDARD DIN 127 TYPE B</b>						

Part No:	Size	Material	Packet	Net Price	Loose Bulk Qty
Galv			Qty	Per 100	10% Discount

<b>METRIC FLAT SECTION (Hot Dipped Galvanised)</b>					
SW003G	M 6	2.50 x 1.60	200	2.27	5000
SW004G	M 8	3.00 x 2.00	200	2.75	5000
SW005G	M 10	3.50 x 2.20	200	3.43	3000
SW006G	M 12	4.00 x 2.50	200	5.13	3000
SW007G	M 14	4.80 x 3.20	200	7.99	3000
SW008G	M 16	5.00 x 3.50	100	10.73	2000
SW009G	M 18	5.00 x 3.50	100	14.40	2000
SW010G	M 20	6.00 x 4.00	100	17.49	1000
SW014G	M 22	6.40 x 4.80	50	22.51	1000
SW011G	M 24	7.00 x 5.00	50	37.77	1000
SW012G	M 30	8.00 x 6.40	25	59.00	500
SW013G	M 36	9.50 x 6.40	25	86.28	500

<b>METRIC SQUARE SECTION (Hot Dipped Galvanised)</b>					
SW252G	M 6	2.00 x 2.00	200	2.05	5000
SW257G	M 8	2.50 x 2.50	200	2.68	5000
SW260G	M 10	2.50 x 2.50	200	2.83	5000
SW264G	M 12	3.20 x 3.20	200	4.25	3000
SW269G	M 14	3.20 x 3.20	200	4.79	3000
SW274G	M 16	4.00 x 4.00	100	8.16	5000
SW279G	M 18	4.80 x 4.80	100	13.27	1000
SW284G	M 20	4.80 x 4.80	100	14.78	1000
SW301G	M 24	6.40 x 6.40	25	36.74	500
SW305G	M 28	6.40 x 6.40	25	41.05	500
SW309G	M 30	6.40 x 6.40	25	42.68	500
SW312G	M 32	6.40 x 6.40	25	44.79	500
SW317G	M 36	8.00 x 8.00	20	85.14	500

**Non Listed Galvanised Spring Washers Are Black Price Plus 15%**

Industrial Engineers and Spring Makers

## Spring Washer Catalogue

Prices Effective 1st November 2008

Part Number	Size	Section	I.D.	Finish	Price /100 Net
<b>RAILWAY APPLICATION - AUSTRALIAN STANDARD (AS 1085, PART 7 - 2003)</b>					
SW018	M 18	10 x 6	19 - 20mm	Black	34.28
SW020	M 20	10 x 6	21 - 22mm	Black	37.32
SW022	M 22	10 x 6	24 - 25mm	Black	41.15
SW024	M 24	9.5 x 9.5	27 - 28mm	Black	65.96
SW027	M 27	9.5 x 9.5	30 - 31mm	Black	76.67
SW030	M 30	9.5 x 9.5	32 - 33mm	Black	83.77

Part Number	Size	Section	I.D.	Finish	Price /100 Net
<b>RAKE WASHERS</b>					
SW350	M 10	8.00 x 2.00		Galvanised	20.79
SW360	M 12	6.40 x 3.20		Galvanised	25.75
SW370	M 16	6.40 x 3.20		Galvanised	29.88
USED BY ELECTRICITY COMMISSIONS AS A TENSIONING DEVICE, TO COMPENSATE FOR DIFFERING EXPANSIONS IN VARYING METALS (EG. STEEL BOLTS THROUGH ALUMINIUM CASTINGS)					

Part No Black/Zinc	Size	Material	Packet Qty	Net Price Per 100 Black	Zinc	Loose Bulk Qty 10% Discount
<b>IMPERIAL SQUARE SECTION (Light Duty)</b>						
SW056	3/16	3/64 x 3/64	200	1.22	1.22	5000
SW060	1/4	1/16 x 1/16	200	1.60	1.60	5000
SW064	5/16	1/16 x 1/16	200	1.93	1.93	5000
SW069	3/8	3/32 x 3/32	200	2.32	2.32	5000
SW072	7/16	3/32 x 3/32	200	2.60	2.60	3000
SW076	1/2	1/8 x 1/8	200	3.69	3.69	3000
SW079	9/16	1/8 x 1/8	200	4.03	4.03	3000
SW082	5/8	1/8 x 1/8	200	4.28	4.28	5000
SW102	3/4	5/32 x 5/32	100	8.14	8.14	1000
SW106	7/8	3/16 x 3/16	100	13.49	13.49	1000
SW110	1"	3/16 x 3/16	50	15.40	16.94	1000
SW115	1.1/8	1/4 x 1/4	25	31.48	34.63	500
SW118	1.1/4	1/4 x 1/4	25	34.23	37.66	500
SW121	1.3/8	1/4 x 1/4	25	37.22	40.93	500
SW124	1.1/2	1/4 x 1/4	25	40.13	44.10	500

**Non Listed Galvanised Spring Washers Are Black Price Plus 15%**

Industrial Engineers and Spring Makers

## Spring Washer Catalogue

### Prices Effective 1st November 2008

Part No Black/Zinc	Size	Material	Packet Qty	Net Price Per 100		Loose Bulk Qty 10% Discount
				Black	Zinc	
<b>IMPERIAL SQUARE SECTION (Medium Duty)</b>						
SW052	1/8	3/64 x 3/64	200	0.94	0.94	5000
SW054	5/32	3/64 x 3/64	200	1.14	1.14	5000
SW057	3/16	1/16 x 1/16	200	1.38	1.38	5000
SW061	1/4	5/64 x 5/64	200	1.72	1.72	5000
SW065	5/16	5/64 x 5/64	200	2.09	2.09	5000
SW070	3/8	1/8 x 1/8	200	3.04	3.04	5000
SW073	7/16	1/8 x 1/8	200	3.37	3.37	3000
SW077	1/2	5/32 x 5/32	200	5.40	5.40	3000
SW080	9/16	5/32 x 5/32	200	5.95	5.95	3000
SW083	5/8	5/32 x 5/32	100	6.90	6.90	5000
SW100	11/16	3/16 x 3/16	100	11.17	11.17	1000
SW103	3/4	3/16 x 3/16	100	12.27	12.27	1000
SW108	7/8	1/4 x 1/4	50	25.63	28.21	500
SW112	1"	1/4 x 1/4	25	28.20	31.02	500
SW116	1.1/8	5/16 x 5/16	20	55.39	60.89	500
SW119	1.1/4	5/16 x 5/16	25	56.54	62.26	500
SW122	1.3/8	5/16 x 5/16	25	60.63	66.66	500
SW125	1.1/2	5/16 x 5/16	20	64.96	71.45	500
SW127	1.3/4	5/16 x 5/16	10	74.98	82.47	500
<b>IMPERIAL SQUARE SECTION (Heavy Duty)</b>						
SW053	1/8	1/16 x 1/16	200	1.23	1.23	5000
SW055	5/32	1/16 x 1/16	200	1.27	1.27	5000
SW058	3/16	3/32 x 3/32	200	2.32	2.32	5000
SW062	1/4	3/32 x 3/32	200	2.19	2.19	5000
SW066	5/16	3/32 x 3/32	200	2.27	2.27	5000
SW071	3/8	5/32 x 5/32	200	4.55	4.55	5000
SW074	7/16	5/32 x 5/32	200	5.09	5.09	3000
SW078	1/2	3/16 x 3/16	100	8.38	8.38	2000
SW081	9/16	3/16 x 3/16	100	9.41	9.41	2000
SW084	5/8	3/16 x 3/16	100	10.11	10.11	2000
SW101	11/16	1/4 x 1/4	50	20.92	20.92	1000
SW105	3/4	1/4 x 1/4	50	22.29	22.29	1000
SW109	7/8	5/16 x 5/16	25	42.39	46.64	500
SW113	1"	5/16 x 5/16	25	46.55	51.22	500
SW114	1"	3/8 x 3/8	20	72.33	79.59	500
SW117	1.1/8	3/8 x 3/8	20	78.49	86.35	500
SW120	1.1/4	3/8 x 3/8	10	84.68	93.15	500
SW123	1.3/8	3/8 x 3/8	10	94.04	103.44	500
SW126	1.1/2	3/8 x 3/8	10	100.41	110.45	500
SW138	1.5/8	3/8 x 3/8	10	104.52	114.97	500
SW128	1.3/4	3/8 x 3/8	10	108.47	119.32	500
<b>IMPERIAL SQUARE SECTION (Large Sizes)</b>						
SW139	1.7/8	3/8 x 3/8	10	112.53	123.81	500
SW129	1.7/8	5/16 x 5/16	10	77.57	85.80	500
SW130	2"	3/8 x 3/8	5	118.58	130.46	500
SW131	2.1/4	3/8 x 3/8	5	133.98	147.18	500
SW132	2.1/2	3/8 x 3/8	5	146.74	161.04	500
SW133	2.3/4	3/8 x 3/8	1	161.62	177.80	100
SW134	3"	3/8 x 3/8	1	177.02	194.83	100
SW135	3"	1/2 x 1/2		40.25	44.27	Each
SW136	3.1/2	1/2 x 1/2		43.80	48.18	Each
SW137	4"	1/2 x 1/2		47.36	52.09	Each

**Non Listed Galvanised Spring Washers Are Black Price Plus 15%**

Industrial Engineers and Spring Makers

## Spring Washer Catalogue

### Prices Effective 1st November 2008

Part No	Size	Material	Packet Qty	Net Price Per 100		Loose Bulk Qty
Black/Zinc				Black	Zinc	10% Discount
<b>IMPERIAL FLAT SECTION (Light Duty)</b>						
SW150	1/8	3/64 x 1/32	200	1.19	1.19	5000
SW154	3/16	1/16 x 3/64	200	1.23	1.23	5000
SW157	1/4	3/32 x 3/64	200	1.67	1.67	5000
SW161	5/16	3/32 x 1/16	200	2.22	2.22	5000
SW165	3/8	1/8 x 1/16	200	2.55	2.55	5000
SW169	7/16	1/8 x 3/32	200	3.10	3.10	3000
SW172	1/2	5/32 x 3/32	200	4.42	4.42	3000
SW200	5/8	3/16 x 1/8	100	7.69	7.69	3000
SW205	3/4	1/4 x 1/8	100	13.76	13.76	1000
SW209	7/8	1/4 x 3/16	50	18.94	18.94	1000
SW213	1"	1/4 x 3/16	50	21.69	23.87	1000
<b>IMPERIAL FLAT SECTION (Medium Duty)</b>						
SW151	1/8	1/16 x 1/32	200	1.18	1.18	5000
SW152	5/32	1/16 x 1/32	200	1.18	1.18	5000
SW155	3/16	3/32 x 3/64	200	1.45	1.45	5000
SW158	1/4	3/32 x 1/16	200	1.91	1.91	5000
SW163	5/16	1/8 x 1/16	200	2.44	2.44	5000
SW166	3/8	1/8 x 3/32	200	2.78	2.78	5000
SW170	7/16	5/32 x 3/32	200	4.10	4.10	3000
SW173	1/2	3/16 x 1/8	200	6.61	6.61	3000
SW176	9/16	3/16 x 1/8	200	7.14	7.14	3000
SW199	5/8	1/4 x 1/8	100	10.24	10.24	3000
SW204	3/4	7/32 x 5/32	100	11.80	11.80	1000
SW211	7/8	5/16 x 1/4	50	33.90	33.90	1000
SW214	1"	5/16 x 1/4	25	36.96	40.66	1000
SW216	1.1/8	5/16 x 1/4	25	44.35	48.75	500
SW218	1.1/4	5/16 x 1/4	25	46.73	51.39	500
<b>IMPERIAL FLAT SECTION (Heavy Duty)</b>						
SW156	3/16	3/32 x 1/16	200	1.60	1.60	5000
SW160	1/4	1/8 x 1/16	200	2.35	2.35	5000
SW164	5/16	1/8 x 3/32	200	2.46	2.46	5000
SW167	3/8	5/32 x 3/32	200	3.86	3.86	5000
SW171	7/16	3/16 x 1/8	200	5.13	5.13	3000
SW175	1/2	7/32 x 5/32	100	8.21	8.21	2000
SW201	5/8	7/32 x 5/32	100	10.31	10.31	1000
SW202	5/8	1/4 x 3/16	50	14.54	14.54	1000
SW206	3/4	1/4 x 3/16	50	17.01	17.01	1000
SW207	3/4	5/16 x 1/4	50	29.61	29.61	1000
SW212	7/8	3/8 x 1/4	25	44.35	48.75	1000
SW215	1"	3/8 x 1/4	25	47.87	52.62	500
SW217	1.1/8	3/8 x 1/4	25	51.26	56.36	500
SW219	1.1/4	3/8 x 1/4	20	57.42	63.14	500
<b>IMPERIAL FLAT SECTION (Large Sizes)</b>						
SW220	1.3/8	3/8 x 1/4	25	61.51	67.67	500
SW221	1.1/2	3/8 x 1/4	25	66.40	73.04	500
SW222	1.5/8	3/8 x 1/4	20	70.14	77.18	500
SW223	1.3/4	3/8 x 1/4	10	78.71	86.58	500
SW224	1.7/8	3/8 x 1/4	10	88.40	97.24	500
SW225	2"	3/8 x 1/4	5	99.00	108.90	500
SW226	2.1/4	3/8 x 1/4	5	115.50	127.16	500
SW227	2.1/2	3/8 x 1/4	5	129.14	142.12	500

**Non Listed Galvanised Spring Washers Are Black Price Plus 15%**

Industrial Engineers and Spring Makers

## Spring Washer Catalogue

Prices Effective 1st November 2008

Part No: Galv	Size	Material	Packet Qty	Net Price Per 100	Loose Bulk Qty 10% Discount
------------------	------	----------	---------------	----------------------	--------------------------------

### IMPERIAL FLAT SECTION (Hot Dipped Galvanised)

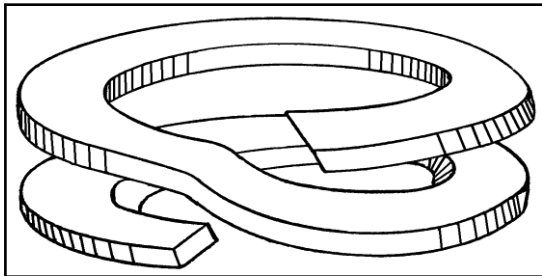
SW158G	1/4	3/32 x 1/16	200	2.27	5000
SW162G	5/16	3mm x 2mm	200	2.75	5000
SW166G	3/8	1/8 x 3/32	200	3.31	5000
SW173G	1/2	3/16 x 1/8	200	7.85	3000
SW176G	9/16	3/16 x 1/8	200	8.49	3000
SW200G	5/8	3/16 x 1/8	100	9.14	3000
SW204G	3/4	7/32 x 5/32	100	13.99	1000
SW209G	7/8	1/4 x 3/16	50	22.51	1000
SW213G	1"	1/4 x 3/16	50	28.34	1000
SW218G	1.1/4	5/16 x 1/4	25	61.12	500
SW221G	1.1/2	3/8 x 1/4	25	86.28	500

### IMPERIAL SQUARE SECTION (Hot Dipped Galvanised)

SW061G	1/4	5/64 x 5/64	200	2.05	5000
SW066G	5/16	3/32 x 3/32	200	2.68	5000
SW069G	3/8	3/32 x 3/32	200	2.75	5000
SW072G	7/16	3/32 x 3/32	200	3.08	3000
SW076G	1/2	1/8 x 1/8	200	4.39	3000
SW079G	9/16	1/8 x 1/8	200	4.79	3000
SW083G	5/8	5/32 x 5/32	100	8.16	5000
SW100G	11/16	3/16 x 3/16	100	13.27	1000
SW103G	3/4	3/16 x 3/16	100	14.58	1000
SW106G	7/8	3/16 x 3/16	100	15.97	1000
SW112G	1"	1/4 x 1/4	25	36.74	500
SW115G	1.1/8	1/4 x 1/4	25	41.18	500
SW118G	1.1/4	1/4 x 1/4	25	44.79	500
SW125G	1.1/2	5/16 x 5/16	20	84.98	500

### Double Coil Spring Washers

**Price Each**

SWDC 01	6.0mm to 20mm (Inside Diameter)	\$3.30
		

**\* ALL PRICES ARE SUBJECT TO GST \***

**Non Listed Galvanised Spring Washers Are Black Price Plus 15%**